

# Original Gripper®

Cherne's Gripper plugs can be used in a variety of applications including DWV (drain, waste and vent) testing and stack testing. End-of-Pipe design won't fall in, whereas the Inside-of-Pipe design allows you to locate the plug inside the pipe as far as you need. Time tested, the Gripper® remains one of the most popular mechanical plugs on the market.

## Original Gripper® Plug Features:

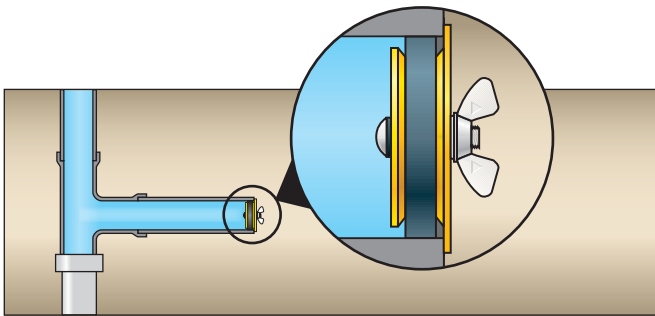
- Ideal for sewer testing and long-term applications
- Made with glass-reinforced ABS plastic
- End-of-pipe design seals only at the end of a pipe
- Inside-of-pipe design seals inside pipe as far as needed

## Equipped with:

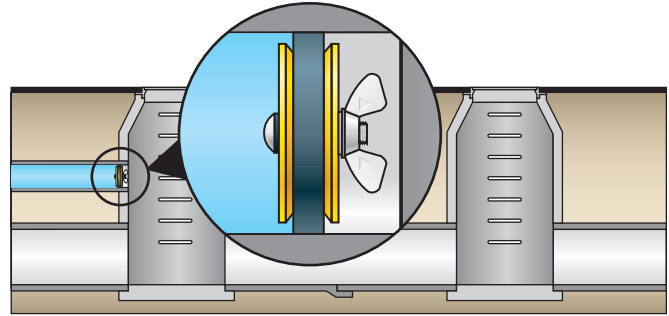
- Easy to install extra large zinc wing nut – won't rust
- Natural rubber o-ring
- Galvanized carriage bolt to prevent corrosion



End-of-Pipe Gripper® plug



Inside-of-Pipe Gripper® plug



## End-of-Pipe Gripper

Part Number	Nominal Size	Usage Range	Maximum Back Pressure	Length	Product Weight
270210	1 1/2" (40 mm)	1.48"-1.65" (39-42 mm)	17 psi (1,2 bar)	40 ft. (12 M)	1.75" (44.5 mm) 0.13 lbs (0.05 kg)
270229	2" (50 mm)	1.9"-2.17" (49-55 mm)	17 psi (1,2 bar)	40 ft. (12 M)	1.87" (47.5 mm) 0.19 lbs (0.09 kg)
270237	3" (75 mm)	2.8"-3.1" (71-79 mm)	17 psi (1,2 bar)	40 ft. (12 M)	2.5" (63.5 mm) 0.375 lbs (0.16 kg)
270245	4" (100 mm)	3.8"-4.06" (96-103 mm)	17 psi (1,2 bar)	40 ft. (12 M)	2.5" (63.5 mm) 0.5 lbs (0.23 kg)
270261	6" (150 mm)	5.77"-6.08" (147-154 mm)	17 psi (1,2 bar)	40 ft. (12 M)	3.75" (95.3 mm) 2.5 lbs (1.14 kg)
270270	8" (200 mm)	7.7"-8.03" (196-204 mm)	17 psi (1,2 bar)	40 ft. (12 M)	3.75" (95.3 mm) 3 lbs (1.37 kg)

## Inside-of-Pipe Gripper

Part Number	Nominal Size	Usage Range	Maximum Back Pressure	Length	Product Weight
270296	4" (100 mm)	3.8"-4.06" (96-103 mm)	17 psi (1,2 bar)	40 ft. (12 M)	2.5" (63.5 mm) .5 lbs (0.23 kg)
270253	6" (150 mm)	5.77"-6.08" (147-154 mm)	17 psi (1,2 bar)	40 ft. (12 M)	3.75" (95.3 mm) 2.5 lbs (1.14 kg)
270288	8" (200 mm)	7.7"-8.03" (196-204 mm)	17 psi (1,2 bar)	40 ft. (12 M)	3.75" (95.3 mm) 3 lbs (1.37 kg)

# Hub-Fit Gripper® • Clean-Out Gripper®



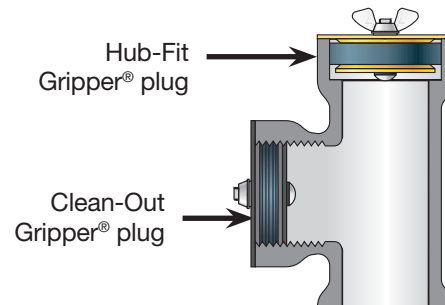
## Hub-Fit Gripper® Plug Features:

- Ideal for use in hub fittings and in bell-end pipe
- Pressure rated for conducting DWV tests
- Made with glass-reinforced ABS plastic
- Yellow color for greater visibility in pipe
- Natural rubber o-ring for positive seal
- Galvanized carriage to prevent corrosion
- Easy-to-install, extra large zinc wing nut – won't rust



## Clean-Out Gripper® Plug Features:

- Guaranteed to seal any damaged threads
- Made with glass-reinforced ABS plastic
- Black color blends well with cast-iron pipe
- Stainless steel hardware
- NPT sizes, including hard to find 3 1/2"
- Natural rubber threaded o-ring for positive seal



## Hub-Fit Gripper

Part Number	Nominal Size	Usage Range	Maximum Back Pressure		Length	Product Weight
270528	2" (50 mm)	2.25"-2.45" (57-63 mm)	13 psi (0,9 bar)	30 ft. (9 M)	1.9" (48 mm)	3.3 oz (0.09 kg)
270538	3" (75 mm)	3.44"-3.53" (88-90 mm)	13 psi (0,9 bar)	30 ft. (9 M)	2.4" (61 mm)	9.5 oz (0.27 kg)
270548	4" (100 mm)	4.41"-4.53" (112-115 mm)	13 psi (0,9 bar)	30 ft. (9 M)	2.4" (61 mm)	11.9 oz (0.34 kg)

## Clean-Out Gripper

Part Number	Nominal Size	Usage Range	Maximum Back Pressure		Length	Product Weight
270168	2"	2.20"-2.5"	17 psi	40 ft.	1.9"	2.4 oz
270178	3"	3.23"-3.50"	17 psi	40 ft.	2.2"	3.5 oz
270138	3.5"	3.78"-4.25"	17 psi	40 ft.	2.2"	7.5 oz
270188	4"	4.22"-4.6"	17 psi	40 ft.	2.2"	9.7 oz

# T-Handle Gripper®

## T-Handle Aluminum Gripper® Plug Features:

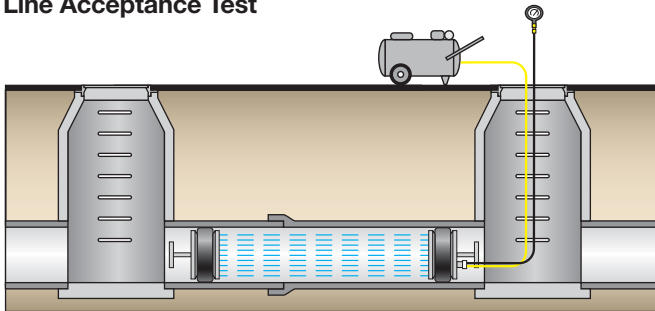
- Ideal for long term applications
- 6" - 12" plugs are sized for concrete, clay, and SDR 26 and 35 pipe
- 15" and 18" plugs are sized for concrete and clay pipe sizes only
- Available with or without bypass
- Can be used for sewer air pressure tests

## Equipped with:

- Heavy duty aluminum body and T-handle
- Chemical resistant neoprene o-ring



## Line Acceptance Test



## T-Handle Gripper with Bypass

Part Number	Nominal Size	Usage Range	Maximum Back Pressure	Length	Product Weight	Bypass Diameter (NPT)
272949	6" (150 mm)	5.7"-6.3" (144-160 mm)	17 psi (1,2 bar)	40 ft. (12 M)	9.7" (247 mm)	6.5 lbs (3 kg)
272957	8" (200 mm)	7.7"-8.3" (196-211 mm)	17 psi (1,2 bar)	40 ft. (12 M)	9.7" (247 mm)	9.5 lbs (4.3 kg)
272965	10" (250 mm)	9.8"-10.3" (248-262 mm)	17 psi (1,2 bar)	40 ft. (12 M)	9.7" (247 mm)	12.5 lbs (5.7 kg)
272973	12" (300 mm)	11.7"-12.3" (297-312 mm)	13 psi (0,9 bar)	30 ft. (9.1 M)	9.7" (247 mm)	16 lbs (7.3 kg)
272981	15" (380 mm)	14.8"-15.3" (377-388 mm)	13 psi (0,9 bar)	30 ft. (9.1 M)	9.7" (247 mm)	24 lbs (10.7 kg)
272998	18" (460 mm)	17.7"-18.3" (450-465 mm)	8.7 psi (0,61 bar)	20 ft. (6.1 M)	9.7" (247 mm)	31 lbs (14 kg)

## T-Handle Gripper

Part Number	Nominal Size	Usage Range	Maximum Back Pressure	Length	Product Weight
272892	6" (150 mm)	5.7"-6.3" (144-160 mm)	17 psi (1,2 bar)	40 ft. (12 M)	9.7" (247 mm)
272906	8" (200 mm)	7.7"-8.3" (196-211 mm)	17 psi (1,2 bar)	40 ft. (12 M)	9.7" (247 mm)
272914	10" (250 mm)	9.8"-10.3" (248-262 mm)	17 psi (1,2 bar)	40 ft. (12 M)	9.7" (247 mm)
272922	12" (300 mm)	11.7"-12.3" (297-312 mm)	13 psi (0,9 bar)	30 ft. (9.1 M)	9.7" (247 mm)
272930	15" (380 mm)	14.8"-15.3" (377-388 mm)	13 psi (0,9 bar)	30 ft. (9.1 M)	9.7" (247 mm)
272888	18" (460 mm)	17.7"-18.3" (450-465 mm)	8.7 psi (0,61 bar)	20 ft. (6.1 M)	9.7" (247 mm)

Always block plugs when conducting air tests.

# Iron Grip



## Iron Grip Bypass Mechanical Plug Features:

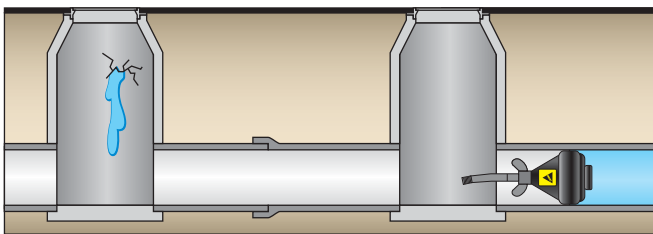
- Easy, tool free installation
- For permanent or temporary use
- For use in water and air sewer testing
- Cast-iron design

## Equipped with:

- Large installation wing-nut
- Natural rubber o-ring



## Blocking Flow



## Iron Grip

Part Number	Nominal Size	Usage Range	Maximum Back Pressure	Length	Product Weight	Bypass Diameter (NPT)
268028	2" (50 mm)	1.94"-2.12" (49-54 mm)	13 psi (0,9 bar)	30 ft. (9,1 M)	9.75" (248 mm)	1.1 lbs (.5 kg)
268038	3" (75 mm)	2.82"-3.12" (75-80 mm)	11 psi (0,76 bar)	25 ft. (7,6 M)	12.75" (324 mm)	2.3 lbs (1.1 kg)
268048	4" (100 mm)	3.6"-4.06" (92-103 mm)	8.7 psi (0,61 bar)	20 ft. (6.1 M)	12.75" (324 mm)	3.1 lbs (1.4 kg)
268068	6" (150 mm)	5.57"-6.12" (142-155 mm)	4.3 psi (0,30 bar)	10 ft. (3 M)	12.75" (324 mm)	5.6 lbs (2.5 kg)
268088	8" (200 mm)	7.72"-8.2" (196-208 mm)	4.3 psi (0,30 bar)	10 ft. (3 M)	17" (432 mm)	11.5 lbs (5.9 kg)
268108	10" (250 mm)	9.8"-10.2" (249-260 mm)	3.5 psi (0,24 bar)	8 ft. (2.4 M)	17" (432 mm)	20 lbs (9.0 kg)
268128	12" (300 mm)	11.56"-12.2" (294-310 mm)	2.6 psi (0,18 bar)	6 ft. (1.8 M)	19.5" (500 mm)	28 lbs (12.8 kg)

Always block plugs when conducting air tests.

# Econ-O-Grip® • Petro Econ-O-Grip®

## Econ-O-Grip® Plug Features:

- Cost effective method for plugging open ended pipe
- Works well as a pipe dust cover

## Equipped with:

- Galvanized metal plates and bolts
- Natural rubber o-ring



## Petro Econ-O-Grip® Plug Features:

- Cost effective, chemical-resistant plug
- Works well as a pipe dust cover

## Equipped with:

- Stainless steel bolt and plate
- Chemical resistant nitrile rubber



## Econo-O-Grip

Part Number	Nominal Size	Usage Range	Maximum Back Pressure		Length	Product Weight
271519	1.5" (40 mm)	1.44"-1.65" (37-42 mm)	2 psi (0,14 bar)	5 ft. (1.4 M)	2.56" (65 mm)	3.5 oz (0.1 kg)
271527	2" (50 mm)	1.96"-2.25" (50-57 mm)	2 psi (0,14 bar)	5 ft. (1.4 M)	2.62" (67 mm)	5 oz (0.14 kg)
271535	3" (75 mm)	2.86"-3.25" (73-82 mm)	2 psi (0,14 bar)	5 ft. (1.4 M)	2.64" (67 mm)	8.5 oz (0.24 kg)
271543	4" (100 mm)	3.78"-4.5" (96-114 mm)	2 psi (0,14 bar)	5 ft. (1.4 M)	3.25" (82 mm)	12.48 oz (0.35 kg)
271551	5" (125 mm)	4.62"-5.3" (117-135 mm)	1 psi (0,07 bar)	2 ft. (0.7 M)	3.55" (90 mm)	1.1 lbs (0.5 kg)
271578	6" (150 mm)	5.62"-6.4" (143-162 mm)	1 psi (0,07 bar)	2 ft. (0.7 M)	3.19" (81 mm)	1.6 lbs (0.7 kg)

## Petro Econo-O-Grip

Part Number	Nominal Size	Usage Range	Maximum Back Pressure		Length	Product Weight
273318	1.5" (40 mm)	1.44"-1.65" (37-42 mm)	2 psi (0,14 bar)	5 ft. (1.4 M)	2.56" (65 mm)	3.5 oz (0.1 kg)
273328	2" (50 mm)	1.96"-2.25" (50-57 mm)	2 psi (0,14 bar)	5 ft. (1.4 M)	2.62" (67 mm)	5 oz (0.14 kg)
273338	3" (75 mm)	2.86"-3.25" (73-82 mm)	2 psi (0,14 bar)	5 ft. (1.4 M)	2.64" (67 mm)	8.5 oz (0.24 kg)
273348	4" (100 mm)	3.78"-4.3" (96-109 mm)	2 psi (0,14 bar)	5 ft. (1.4 M)	3.25" (82 mm)	12.48 oz (0.35 kg)
273358	5" (125 mm)	4.62"-5.3" (117-135 mm)	1 psi (0,07 bar)	2 ft. (0.7 M)	3.55" (90 mm)	1.1 lbs (0.5 kg)
273368	6" (150 mm)	5.62"-6.4" (143-162 mm)	1 psi (0,07 bar)	2 ft. (0.7 M)	3.19" (81 mm)	1.6 lbs (0.7 kg)

Always block plugs when conducting air tests.

# Kwik 'N Sure® • Sure-Grip®



## Sure-Grip® Plug Features:

- Polypropylene construction
- Fits all types of pipe at nominal sizes
- Permanent or temporary use

## Equipped with:

- Natural rubber o-ring
- Can be tapped for use with cleanout cover

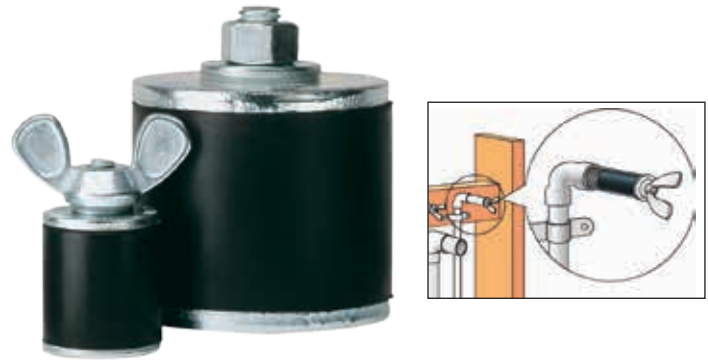


## Kwik 'N Sure® Plug Features:

- Works in all types of pipe
- Ideal for plugging water line stub-outs
- Designed for high pressure applications

## Equipped with:

- Natural rubber o-ring
- Wing nut on the .39"-1.25" sizes
- Hex nut on the 1.5"-5" sizes



## Sure-Grip

Part Number	Nominal Size	Usage Range	Maximum Back Pressure	Length	Product Weight	
271158	1.5" (40 mm)	1.48"-1.63" (40-42 mm)	22 psi (1,5 bar)	50 ft. (15 M)	2.5" (64 mm)	1.6 oz (0.7 kg)
271208	2" (50 mm)	1.89"-2.09" (48-53 mm)	22 psi (1,5 bar)	50 ft. (15 M)	3" (75 mm)	2.4 oz
271308	3" (75 mm)	2.89"-3.09" (73-79 mm)	13 psi (0,9 bar)	30 ft. (9 M)	3.7" (94 mm)	4.9 oz
271408	4" (100 mm)	3.87"-4.09" (98-103 mm)	13 psi (0,9 bar)	30 ft. (9 M)	3.5" (87 mm)	6.8 oz

## Kwik'N Sure

Part Number	Nominal Size	Usage Range	Maximum Back Pressure	Length	Product Weight	
269832	0.39" (10 mm)	0.38"-0.43" (10-11 mm)	185 psi (12,8 bar)	428 ft. (128 M)	1.87" (48 mm)	1 oz (0.03 kg)
269840	0.5" (13 mm)	0.5"-0.56" (13-14 mm)	180 psi (12,4 bar)	415 ft. (124 M)	1.87" (48 mm)	1.5 oz (0.04 kg)
269867	0.75" (20 mm)	0.72"-0.87" (18-22 mm)	180 psi (12,4 bar)	415 ft. (124 M)	2.06" (52 mm)	1.6 oz (0.05 kg)
269875	1" (25 mm)	0.86"-1.02" (22-26 mm)	40 psi (2,8 bar)	92 ft. (28 M)	1.87" (55 mm)	1.9 oz (0.05 kg)
269883	1.25" (32 mm)	1.24"-1.43" (32-36 mm)	112 psi (7,7 bar)	258 ft. (77 M)	2.06" (52 mm)	3 oz (0.07 kg)
269891	1.5" (40 mm)	1.43"-1.53" (36-39 mm)	88 psi (6,1 bar)	203 ft. (62 M)	1.87" (48 mm)	3.4 oz (0.08 kg)
269905	2" (50 mm)	1.73"-2.06" (44-52 mm)	112 psi (7,7 bar)	258 ft. (77 M)	2.63" (67 mm)	7 oz (0.2 kg)
269913	2.5" (60 mm)	2.3"-2.78" (58-71 mm)	72 psi (4,9 bar)	166 ft. (51 M)	2.75" (70 mm)	12 oz (0.3 kg)
269921	3" (75 mm)	2.73"-3.2" (69-81 mm)	28 psi (1,9 bar)	65 ft. (19 M)	3.12" (79 mm)	1.5 lbs (0.68 kg)
269948	4" (100 mm)	3.72"-4.5" (95-114 mm)	24 psi (1,7 bar)	55 ft. (17 M)	3.12" (79 mm)	2.6 lbs (1.2 kg)
269956	5" (125 mm)	4.8"-5.19" (122-132 mm)	8 psi (0,6)	18 ft. (6 M)	3.25" (82 mm)	2.25 lbs (1 kg)

Always block plugs when conducting air tests.

# Monitor-Well

## Monitor-Well Locking Plug Features:

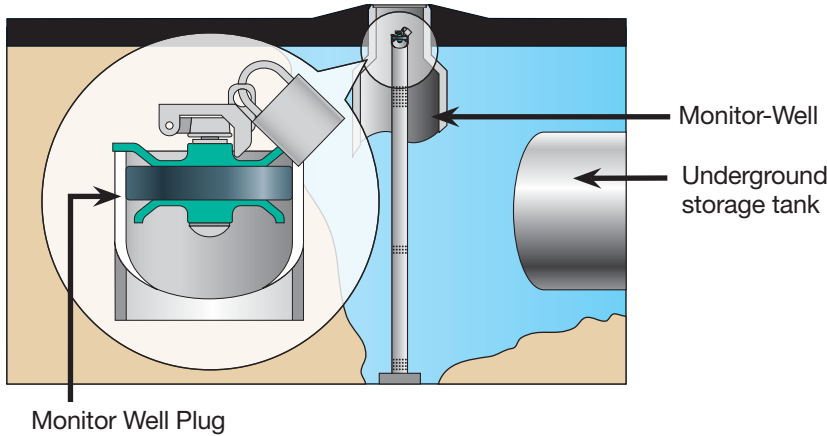
- Designed to seal monitor wells
- Meets all EPA requirements for locking plugs
- Sized to seal Schedule 40 piping
- 2" and 4" sizes can also seal Schedule 5 pipe
- Works with Cherne's solid brass padlock or #2 Masterlock® padlock

## Equipped with:

- Chemical and petroleum-resistant Estaloc™ plastic top and bottom plates
- Petroleum resistant nitrile o-ring
- Stainless steel carriage bolt
- Yellow chromate-coated locking latch



## Monitor-Well Plug Installed



## Monitor-Well

Part Number	Nominal Size	Usage Range	Maximum Back Pressure	Length	Product Weight
271648	1" - 1.25" (25-30 mm)	1"-1.38" (25-35 mm)	6.5 psi (0.45 bar)	15 ft. (4.5 M)	2.5" (64 mm) 4.7 oz (0.14 kg)
271675	2" (50 mm)	1.9"-2.31" (49-59 mm)	6.5 psi (0.45 bar)	15 ft. (4.5 M)	2.5" (64 mm) 4.5 oz (0.13 kg)
271669	3" (75 mm)	2.8"-3.1" (71-79 mm)	6.5 psi (0.45 bar)	15 ft. (4.5 M)	2.6" (66 mm) 7.5 oz (0.21 kg)
271683	4" (100 mm)	3.8"-4.38" (97-111 mm)	6.5 psi (0.45 bar)	15 ft. (4.5 M)	3.0" (76 mm) 12.5 oz (0.35 kg)
271691	6" (150 mm)	5.77"-6.08" (147-155 mm)	6.5 psi (0.45 bar)	15 ft. (4.5 M)	3.98" (101 mm) 2 lbs (0.91 kg)
271735	8" (200 mm)	7.76"-8.03" (197-204 mm)	6.5 psi (0.45 bar)	15 ft. (4.5 M)	3.98" (101 mm) 3 lbs (1.22 kg)
112941	Dolphin Padlock (All padlocks keyed alike.)				

# Test Kap™



## Test-Kap™

- Made of flexible PVC
- Stainless steel hose clamp - will not rust
- Can be used on plastic, steel, copper, and cast iron pipe



## Test-Kap

Part Number	Nominal Size	Maximum Back Pressure	
270725	1.5"	13 psi	30 ft.
270733	2"	13 psi	30 ft.
270741	3"	13 psi	30 ft.
270768	4"	13 psi	30 ft.
270776	5"	13 psi	30 ft.
270784	6"	13 psi	30 ft.

Always block plugs when conducting air tests.