

Original Muni-Ball® Plugs



The Muni-Ball® Plug was introduced over 50 years ago and the Cherne brand continues to be the most trusted name in pneumatic plugs today. Muni-Ball® Plugs offer a full bypass allowing both testing and monitoring of piping systems. Muni-Balls® are ideal for installation and repair of residential or commercial piping systems. Cherne Muni-Ball® products can also be used for maintenance of municipal infrastructure, including sanitary and storm sewer pipe systems. Muni-Ball® plugs are durable, rugged and are effective on almost any type of pipe.



- Muni-Ball® Plugs are supplied with Schrader tire inflation valves
- Larger diameter Muni-Ball® Plugs include a removable threaded valve, allowing the user to replace with quick disconnect fittings
- Multi-Size® Muni-Ball® Plugs allow more options and less inventory
- 8", 10", 12" and 15" Sizes now include new modified plug for sewer air tests

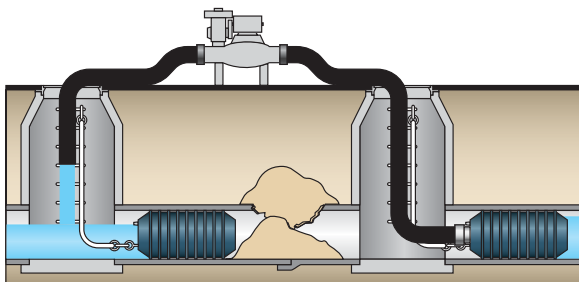
Single Size

Part Number	Nominal Size	Bypass Diameter (NPT)	Usage Range	Maximum Back Pressure	Inflation Pressure	Product Weight	Deflated Length	Deflated Diameter	Inflation Thread	Chain / Eye bolts
262008	1.5" (40 mm)	1/4" M	1.49"-1.88" (38-48 mm)	22 psi (1,5 bar)	50 ft (15 M)	40 psi (2,8 bar)	0.3 lbs (0.2 kg)	3.8" (97 mm)	1.4" (36 mm)	Molded in Valve Removable Chain
262010	2" (50 mm)	1/8" F	1.88"-2.25" (48-57 mm)	22 psi (1,5 bar)	50 ft (15 M)	40 psi (2,8 bar)	0.4 lbs (0.3 kg)	6" (152 mm)	1.75" (44 mm)	Molded in Valve Removable Chain
262021	3" (75 mm)	3/4" F	2.62"-3.25" (67-83 mm)	22 psi (1,5 bar)	50 ft (15 M)	40 psi (2,8 bar)	1.25 lbs (0.5 kg)	8" (203 mm)	2.5" (64 mm)	Molded in Valve Removable Chain
262048	4" (100 mm)	3/4" F	3.25"-4.25" (83-108 mm)	22 psi (1,5 bar)	50 ft (15 M)	40 psi (2,8 bar)	1.5 lbs (0.7 kg)	8" (203 mm)	3.13" (80 mm)	Molded in Valve 1/4" (1)
262064	6" (150 mm)	1 1/2" F	4.50"-6.25" (144-159 mm)	13 psi (0,9 bar)	30 ft. (9.1 M)	35 psi (2,4 bar)	2 lbs (1 kg)	7" (178 mm)	4.5" (112 mm)	1/8" 1/4" (1)
262080	8" (200 mm)	3" F	7.00"-8.25" (178-210 mm)	13 psi (0,9 bar)	30 ft. (9.1 M)	35 psi (2,4 bar)	5 lbs (2.3 kg)	10" (254 mm)	6.75" (170 mm)	1/4" 3/8" (1)
262110	10" (250 mm)	3" F	9.00"-10.25" (229-260 mm)	13 psi (0,9 bar)	30 ft. (9.1 M)	35 psi (2,4 bar)	9 lbs (4 kg)	11.75" (298 mm)	8.75" (222 mm)	1/4" 3/8" (1)
262129	12" (300 mm)	3" F	10.50"-12.25" (267-311 mm)	13 psi (0,9 bar)	30 ft. (9.1 M)	35 psi (2,4 bar)	13 lbs (6 kg)	13.75" (350 mm)	10.25" (260 mm)	1/4" 3/8" (1)
262137	15" - 16" (375-400 mm)	3" F	14.0"-16.0" (356-413 mm)	13 psi (0,9 bar)	30 ft. (9.1 M)	35 psi (2,4 bar)	33 lbs (15 kg)	19.75" (502 mm)	13.75" (346 mm)	1/4" 3/8" (1)
262188	18" (450 mm)	4" F	17.5"-19.5" (445-504 mm)	13 psi (0,9 bar)	30 ft. (9.1 M)	25 psi (1,7 bar)	79 lbs (36 kg)	24.75" (629 mm)	16.9" (429 mm)	1/4" 1/2" (2)
262218	21" (525 mm)	4" F	18.55"-21.38" (479-543 mm)	13 psi (0,9 bar)	30 ft. (9.1 M)	25 psi (1,7 bar)	87 lbs (39 kg)	26" (660 mm)	18.25" (462 mm)	1/4" 1/2" (2)
262242	24" (600 mm)	4" F	22.0"-25" (558-632 mm)	13 psi (0,9 bar)	30 ft. (9.1 M)	25 psi (1,7 bar)	124 lbs (56 kg)	28.75" (730 mm)	21.25" (538 mm)	1/4" 1/2" (2)

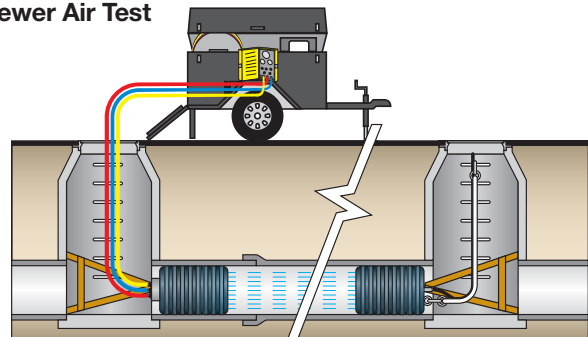
Multi-Size

Part Number	Nominal Size	Bypass Diameter (NPT)	Usage Range	Maximum Back Pressure	Inflation Pressure	Product Weight	Deflated Length	Deflated Diameter	Inflation Thread	Chain / Eye bolts
265048	4" - 6" (100-150 mm)	3/4" F	3.75"-6.25" (95-159 mm)	17 psi (1,2 bar)	40 ft (12 M)	35 psi (2,4 bar)	2.5 lbs (1.1 kg)	10.75" (273 mm)	3.46" (88 mm)	1/8" 1/4" (1)
265068	6" - 8" (150-200 mm)	1 1/2" F	5.50"-8.35" (133-212 mm)	17 psi (1,2 bar)	40 ft (12 M)	35 psi (2,4 bar)	6 lbs (2.7 kg)	13" (330 mm)	5" (125 mm)	1/4" 3/8" (1)
265078	8" - 10" (200-250 mm)	2" F	7.00"-10.25" (178-260 mm)	17 psi (1,2 bar)	40 ft (12 M)	30 psi (2,1 bar)	9 lbs (3 kg)	14.5" (368 mm)	6.75" (171 mm)	1/4" 3/8" (1)
265098	8" - 12" (200-300 mm)	2" F	7.00"-12.25" (178-311 mm)	17 psi (1,2 bar)	40 ft (12 M)	25 psi (1,7 bar)	16 lbs (7.3 kg)	22" (559 mm)	6.75" (171 mm)	1/4" 3/8" (1)
265128	12" - 18" (300-450 mm)	4" F	10.75"-18.75" (273-477 mm)	13 psi (0,9 bar)	30 ft. (9.1 M)	25 psi (1,7 bar)	32 lbs (14.5 kg)	27.25" (692 mm)	10.5" (267 mm)	1/4"(2) 3/8" (2)

Bypass Pumping



Sewer Air Test



Big Mouth® Flow-Through Plugs

Big Mouth® plugs serve multiple applications. Great for **gravity bypassing** or **bypass pumping**.

Original Big Mouth Plugs

- Large male NPT threaded bypass
- Equipped with removable 3/8" eyebolt for lifting /lowering plug
- Removable tire valve for easy replacement with optional quick disconnect
- Lightweight aluminum bypass



Single Size Big Mouth Plug

- Allows for largest bypass by pipe diameter
- 6", 8", 10" sizes have threaded bypasses
- 12", 15", 18", 21" and 24" have straight tube bypasses
- Attach hose with banding



Multi-Size Big Mouth Plug

- Multi-size Big Mouth Plug offers greater expansion range
- Lightweight aluminum bypass
- Removable tire valve for easy replacement with optional quick disconnect

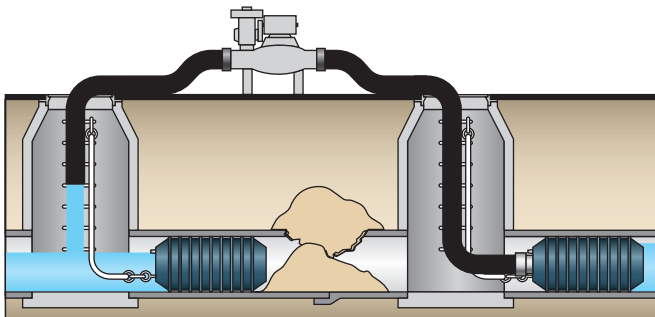


Multi-Size Big Mouth Plug with Interchangeable Bypass Flange

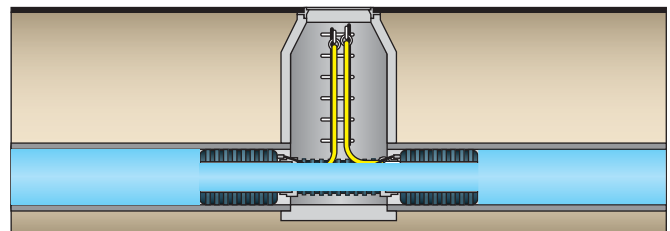
- Interchangeable Bypass for different bypass needs
- Multi-size Big Mouth Plug offers greater expansion range
- Lightweight aluminum bypass
- Removable tire valve for easy replacement with optional quick disconnect



Bypass Pumping



Gravity Bypassing





Original Size Big Mouth Plugs

Part Number	Nominal Size	Bypass Diameter (NPT)	Usage Range	Maximum Back Pressure	Inflation Pressure	Product Weight	Deflated Length	Deflated Diameter	Inflation Thread	Chain / Eye bolts	
269008	8" - 10" (200-250 mm)	4" M	7.25"-10.25" (185-250 mm)	11 psi (0,76 bar)	25 ft. (7.6 M)	35 psi (2,4 bar)	8.8 lbs (4 kg)	14.88" (378 mm)	6.94" (176 mm)	1/4" (1)	3/8" (1)
269018	10" - 12" (250-300 mm)	6" M	9.25"-12.25" (235-311 mm)	11 psi (0,76 bar)	25 ft. (7.6 M)	30 psi (2,1 bar)	15.7 lbs (7.12 kg)	17.25" (438 mm)	8.81" (224 mm)	1/4" (1)	3/8" (1)
269028	12" - 15" (300-380 mm)	6" M	10.62"-15.25" (270-387 mm)	11 psi (0,76 bar)	25 ft. (7.6 M)	30 psi (2,1 bar)	20 lbs (9 kg)	17.88" (454 mm)	10.25" (260 mm)	1/4" (1)	3/8" (1)

Single Size Big Mouth Plugs

Part Number	Nominal Size	Bypass Diameter (NPT)	Usage Range	Maximum Back Pressure	Inflation Pressure	Product Weight	Deflated Length	Deflated Diameter	Inflation Thread	Chain / Eye bolts	
369068	6" (150 mm)	4" M	5.69"-6.34" (145-161 mm)	11 psi (0,76 bar)	25 ft. (7.6 M)	30 psi (2,1 bar)	7 lbs (3.2 kg)	13.25" (337 mm)	5.38" (137 mm)	1/4" (1)	3/8" (1)
369088	8" (200 mm)	6" M	7.75"-8.45" (195-215 mm)	11 psi (0,76 bar)	25 ft. (7.6 M)	30 psi (2,1 bar)	10 lbs (4.5 kg)	16" (406 mm)	7.5" (191 mm)	1/4" (1)	3/8" (1)
369108	10" (250 mm)	8" OD*	9.75"-10.46" (250-266 mm)	11 psi (0,76 bar)	25 ft. (7.6 M)	30 psi (2,1 bar)	17 lbs (7.7 kg)	20" (508 mm)	9.13" (232 mm)	1/4" (1)	3/8" (1)
369128	12" (300 mm)	10" OD*	11.75"-12.52" (300-318 mm)	11 psi (0,76 bar)	25 ft. (7.6 M)	30 psi (2,1 bar)	21 lbs (9.5 kg)	20" (508 mm)	11.13" (283 mm)	1/4" (1)	3/8" (1)
369158	15" (380 mm)	12" OD*	13.9"-15.56" (353-395 mm)	11 psi (0,76 bar)	25 ft. (7.6 M)	30 psi (2,1 bar)	26 lbs (11.8 kg)	20" (508 mm)	13.13" (333 mm)	1/4" (1)	3/8" (1)
369188	18" (450 mm)	15" OD*	16.88"-18.74" (429-476 mm)	11 psi (0,76 bar)	25 ft. (7.6 M)	30 psi (2,1 bar)	31 lbs (14 kg)	20" (508 mm)	16.13" (410 mm)	1/4" (1)	3/8" (1)
369218	21" (525 mm)	18" OD*	20.01"-21.81" (508-554 mm)	11 psi (0,76 bar)	25 ft. (7.6 M)	30 psi (2,1 bar)	37 lbs (16.8 kg)	20" (508 mm)	19.13" (486 mm)	1/4" (1)	3/8" (1)
369248	24" (600 mm)	20" OD*	22.63"-24.98" (575-634 mm)	11 psi (0,76 bar)	25 ft. (7.6 M)	30 psi (2,1 bar)	42 lbs (19 kg)	20" (508 mm)	21.13" (537 mm)	1/4" (1)	3/8" (1)

Multi-Size Big Mouth Plugs

Part Number	Nominal Size	Bypass Diameter (NPT)	Usage Range	Maximum Back Pressure	Inflation Pressure	Product Weight	Deflated Length	Deflated Diameter	Inflation Thread	Chain / Eye bolts	
374068	6" - 10" (150-250 mm)	4" M	5.75"-10.25" (146-260 mm)	10 psi (0,69 bar)	23 ft. (10 M)	40 psi (2,8 bar)	15 lbs (6.8 kg)	24.5" (622 mm)	5.65" (146 mm)	1/4" (1)	3/8" (1)
374088	8" - 12" (200-300 mm)	4" M	7"-12.25" (178-311 mm)	15 psi (1 bar)	34 ft. (10.5 M)	35 psi (2,4 bar)	22 lbs (10 kg)	26" (660 mm)	6.75" (165 mm)	1/4" (1)	3/8" (1)
376088	8" - 12" (200-300 mm)	6" M	7"-12.25" (178-311 mm)	15 psi (1 bar)	34 ft. (10.5 M)	35 psi (2,4 bar)	22 lbs (10 kg)	26" (660 mm)	6.76" (165 mm)	1/4" (1)	3/8" (1)
376128	12" - 18" (300-450 mm)	6" M	11.25"-18.25" (286-464 mm)	10 psi (0,69 bar)	23 ft. (10 M)	25 psi (1,7 bar)	45 lbs (21 kg)	28" (711 mm)	11" (279 mm)	1/4" (1)	3/8" (1)
378128	12" - 18" (300-450 mm)	8" M	11.25"-18.25" (286-464 mm)	10 psi (0,69 bar)	23 ft. (10 M)	25 psi (1,7 bar)	45 lbs (21 kg)	28" (711 mm)	11" (279 mm)	1/4" (1)	3/8" (1)

Multi-Size Plugs with Interchangeable Flange

Part Number	Nominal Size	Bypass Diameter (NPT)	Usage Range	Maximum Back Pressure	Inflation Pressure	Product Weight	Deflated Length	Deflated Diameter	Inflation Thread	Chain / Eye bolts	
376148	14" - 21" (375-525 mm)	6" M	13.6"-21.25" (345-540 mm)	10 psi (0,69 bar)	23 ft. (10 M)	25 psi (1,7 bar)	60 lbs (27 kg)	30" (762 mm)	13.25" (337 mm)	1/8" (1)	3/8" (2)
378148	14" - 21" (375-525 mm)	8" M	13.6"-21.26" (345-540 mm)	10 psi (0,69 bar)	23 ft. (10 M)	25 psi (1,7 bar)	60 lbs (27 kg)	30" (762 mm)	13.25" (337 mm)	1/8" (1)	3/8" (2)
380148	14" - 21" (375-525 mm)	10" M	13.6"-21.27" (345-540 mm)	10 psi (0,69 bar)	23 ft. (10 M)	25 psi (1,7 bar)	60 lbs (27 kg)	30" (762 mm)	13.25" (337 mm)	1/8" (1)	3/8" (2)
376188	18" - 24" (450-600 mm)	6" M	16.5"-24.25" (419-616 mm)	10 psi (0,69 bar)	23 ft. (10 M)	22 psi (1,5 bar)	90 lbs (41 kg)	34" (864 mm)	16" (406 mm)	1/8" (1)	1/2" (2)
378188	18" - 24" (450-600 mm)	8" M	16.5"-24.26" (419-616 mm)	10 psi (0,69 bar)	23 ft. (10 M)	22 psi (1,5 bar)	90 lbs (41 kg)	34" (864 mm)	16" (406 mm)	1/8" (1)	1/2" (2)
380188	18" - 24" (450-600 mm)	10" M	16.5"-24.27" (419-616 mm)	10 psi (0,69 bar)	23 ft. (10 M)	22 psi (1,5 bar)	90 lbs (41 kg)	34" (864 mm)	16" (406 mm)	1/8" (1)	1/2" (2)

Big Mouth Flange Kits

Part Number	Nominal Size	Bypass Diameter
049068	14" - 21"	6" M
049088	14" - 21"	8" M
049188	18" - 24"	8" M
049208	18" - 24"	10" M

I-Series Muni Ball® Plugs

Cherne's I-Series Muni-Ball plugs were designed to meet the needs of both the US and International markets in terms of size and expansion range. Our I-Series plugs have full body cording for added durability.

Our I-Series plugs feature:

- Superior expansion range
- Small deflated diameters
 - All plugs up through our 24-60" size easily fit through a 24" manhole frame
 - 48-72" and 54-96" plugs fit through 36" openings
- Flexible bypass hoses – plugs can be bent to 90 degrees



Plugs 15-32" and larger

- Aluminum end plates – minimizes rust/corrosion
- 3/4" eyebolts on plugs 15-32" and larger – better holding strength
- Patented Field Replaceable Rupture Discs on plugs 15-32" and larger – protects plug from over-inflation

Protective sleeves available for 12-24" and larger plugs. See page 20.

Part Number	Nominal Size	Bypass Diameter (NPT)	Usage Range	Maximum Back Pressure	Inflation Pressure	Product Weight	Deflated Length	Deflated Diameter	Inflation Thread	Chain / Eye bolts	
355088	4" - 8" (100-200 mm)	3/4" M	3.75"-8.25" (100-210 mm)	13 psi (0,9 bar)	30 ft. (9,1 M)	30 psi (2,1 bar)	6 lbs (2,7 kg)	22" (559 mm)	3.65" (93 mm)	1/4"	1/4" (1)
355128	6" - 12" (150-300 mm)	1" M	5.50"-12.25" (150-311 mm)	13 psi (0,9 bar)	30 ft. (9,1 M)	30 psi (2,1 bar)	8.5 lbs (3,9 kg)	26.25" (667 mm)	5.25" (133 mm)	1/4"	3/8" (1)
355168	8" - 16" (200-400 mm)	2" F	7.7"-16.25" (196-413 mm)	13 psi (0,9 bar)	30 ft. (9,1 M)	30 psi (2,1 bar)	23 lbs (10,5 kg)	32" (813 mm)	7.6" (194 mm)	1/4"	3/8" (2)
355248	12" - 24" (300-600 mm)	2" M	11.25"-24.25" (286-616 mm)	13 psi (0,9 bar)	30 ft. (9,1 M)	30 psi (2,1 bar)	41 lbs (18,6 kg)	40" (1016 mm)	11" (282 mm)	1/4"	3/8" (2)
312328	15"-32" (375-800 mm)	2" M	15"-32" (375-800 mm)	11 psi (0,76 bar)	25 ft. (7,6 M)	25 psi (1,72 bar)	73 lbs (33,2 kg)	48" (1220 mm)	14.3" (363 mm)	1/4" & 1/2"	3/4" (2)
314328	15"-32" (375-800 mm)	4" M	15"-32" (375-800 mm)	11 psi (0,76 bar)	25 ft. (7,6 M)	25 psi (1,72 bar)	80 lbs (36,4 kg)	48" (1220 mm)	14.3" (363 mm)	1/4" & 1/2"	3/4" (2)
316328	15"-32" (375-800 mm)	6" M	15"-32" (375-800 mm)	11 psi (0,76 bar)	25 ft. (7,6 M)	25 psi (1,72 bar)	94 lbs (42,75 kg)	48" (1220 mm)	14.3" (363 mm)	1/4" & 1/2"	3/4" (2)
*312408	20" - 40" (500-1000 mm)	2" M	19"-40" (475-1000 mm)	8.7 psi (0,6 bar)	20 ft. (6,1 M)	22 psi (1,5 bar)	88 lbs (40 kg)	46.25" (1175 mm)	18.5" (470 mm)	1/4" & 1/2"	1/2" (2)
*314408	20" - 40" (500-1000 mm)	4" M	19"-40" (475-1000 mm)	8.7 psi (0,6 bar)	20 ft. (6,1 M)	22 psi (1,5 bar)	95 lbs (43 kg)	46.25" (1175 mm)	18.5" (470 mm)	1/4" & 1/2"	1/2" (2)
*316408	20" - 40" (500-1000 mm)	6" M	19"-40" (475-1000 mm)	8.7 psi (0,6 bar)	20 ft. (6,1 M)	22 psi (1,5 bar)	106 lbs (48 kg)	46.25" (1175 mm)	18.5" (470 mm)	1/4" & 1/2"	1/2" (2)
*314488	24" - 48" (600-1200 mm)	4" M	20"-50" (510-1270 mm)	**10 psi (0,7 bar)	23 ft. (7 M)	22 psi (1,5 bar)	150 lbs (68 kg)	68" (1730 mm)	20" (485 mm)	1/4" & 1/2"	3/4" (2)
*316488	24" - 48" (600-1200 mm)	6" M	20"-50" (510-1270 mm)	**10 psi (0,7 bar)	23 ft. (7 M)	22 psi (1,5 bar)	153 lbs (69,5 kg)	68" (1730 mm)	20" (485 mm)	1/2"	3/4" (2)
314600	24" - 60" (1400-1500 mm)	4" M	20.5" - 60.5" (520 - 1537 mm)	6 psi (0,41 bar)	14 ft. (4,3 M)	22 psi (1,5 bar)	153 lbs (69,5 kg)	88" (2235 mm)	20" (485 mm)	1/4" & 1/2"	3/4" (2)
316600	24" - 60" (600-1500 mm)	6" M	20.5" - 60.5" (520 - 1537 mm)	6 psi (0,41 bar)	14 ft. (4,3 M)	22 psi (1,5 bar)	164 lbs (74,5 kg)	88" (2235 mm)	20" (485 mm)	1/4" & 1/2"	3/4" (2)
*314728	48" - 72" (1200-1800 mm)	4" M	44"-72.25" (1118-1835 mm)	6 psi (0,41 bar)	14 ft. (4,3 M)	12 psi (0,83 bar)	310 lbs (141 kg)	93" (2632 mm)	43" (1092 mm)	1/2" (2)	3/4" (3)
316728	48" - 72" (1200-1800 mm)	6" M	44"-72.25" (1200 - 1835 mm)	6 psi (0,41 bar)	14 ft. (4,3 M)	12 psi (0,83 bar)	418 lbs (190,0 kg)	93" (2632 mm)	43" (1092 mm)	1/2" (2)	3/4" (3)
318728	48" - 72" (1200-1800 mm)	8" M	44"-72.25" (1200 - 1835 mm)	6 psi (0,41 bar)	14 ft. (4,3 M)	12 psi (0,83 bar)	448 lbs (203,6 kg)	93" (2632 mm)	43" (1092 mm)	1/2" (2)	3/4" (3)
*314968	54" - 96" (1400-2400 mm)	4" M	54"-96.25" (1400-2450 mm)	6 psi (0,41 bar)	14 ft. (4,3 M)	11 psi (0,75 bar)	500 lbs (228 kg)	128" (3200 mm)	43" (1092 mm)	1/2" (2)	3/4" (3)
316968	54" - 96" (1400-2400 mm)	6" M	50" - 96.25" (1270 - 2400 mm)	6 psi (0,41 bar)	14 ft. (4,3 M)	11 psi (0,75 bar)	480 lbs (218,2 kg)	132" (3353 mm)	43" (1092 mm)	1/2" (2)	3/4" (3)
319968	54" - 96" (1400-2400 mm)	8" M	50" - 96.25" (1270 - 2400 mm)	6 psi (0,41 bar)	14 ft. (4,3 M)	11 psi (0,75 bar)	506 lbs (230,0 kg)	132" (3353 mm)	43" (1092 mm)	1/2" (2)	3/4" (3)

*Rupture Disc

Pillow-Style Muni-Ball® Plugs



Cherne's Pillow-Style Muni-Balls are great for blocking sewer flow and can also be used for sewer testing. Made from heavy-duty elastic urethane these plugs are lightweight, flexible, chemical and petroleum resistant, and will fit through small diameter openings. Pillow-style plugs can be tethered to full head pressure with the tether bar.

Features:

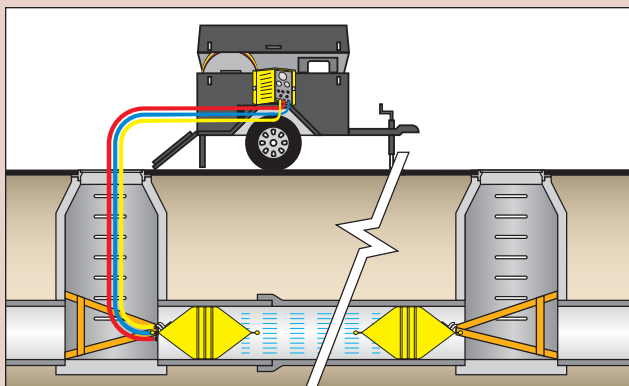
- Equipped with a special 30' inflation hose, read-back line and gauge
- A repair kit is available to fix small tears and punctures
- Muni-Ball® style plugs feature a bypass with threaded nipples on both ends



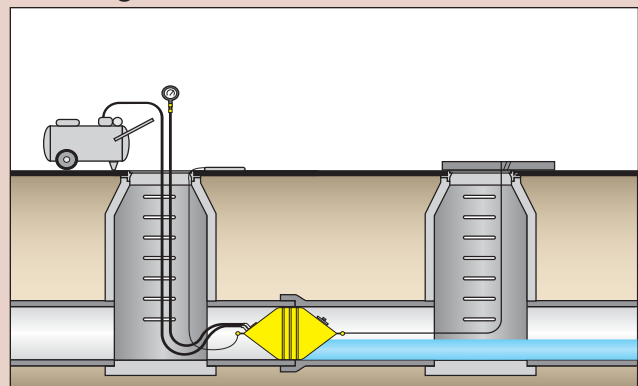
Pillow-Style Muni-Ball

Part Number	Nominal Size	Bypass Diameter (NPT)	Usage Range	Maximum Back Pressure	Inflation Pressure	Product Weight	Deflated Length	Deflated Diameter	Inflation Thread
266027	30" (750 mm)	2 1/2" F	29.4"-31.25" (747-794 mm)	11 psi (0,76 bar)	25 ft. (7.6 M)	55 lbs (25 kg)	66" (1700 mm)	12" (305 mm)	1/2" (1)
266035	33" (850 mm)	2 1/2" F	32.3"-34.25" (819-870 mm)	8.7 psi (0,61 bar)	20 ft. (6.1 M)	57 lbs (25.9 kg)	95" (2413 mm)	12" (305 mm)	1/2" (1)
266043	36" (900 mm)	2 1/2" F	35.3"-37.5" (896-953 mm)	8.7 psi (0,61 bar)	20 ft. (6.1 M)	67 lbs (30.4 kg)	95" (2413 mm)	12" (305 mm)	1/2" (1)
266051	42" (1100 mm)	2 1/2" F	41.2"-43" (1045-111 mm)	7.8 psi (0,55 bar)	18 ft. (5.5 M)	68 lbs (30.8 kg)	95" (2413 mm)	12" (305 mm)	1/2" (1)
266078	48" (1200 mm)	2 1/2" F	47.04"-50" (1195-1270 mm)	5.6 psi (0,4 bar)	13 ft. (4 M)	70 lbs (31.8 kg)	95" (2413 mm)	12" (305 mm)	1/2" (1)
266086	54" (1400 mm)	2 1/2" F	52.92"-56" (1344-1422 mm)	5.6 psi (0,4 bar)	13 ft. (4 M)	105 lbs (47 kg)	95" (2413 mm)	15" (381 mm)	1/2" (1)
266094	60" (1600 mm)	2 1/2" F	58.8"-62" (1494-1575 mm)	5.6 psi (0,4 bar)	13 ft. (4 M)	125 lbs (56.7 kg)	126" (3200 mm)	15" (381 mm)	1/2" (1)
266108	66" (1700 mm)	2 1/2" F	64.7"-68" (1643-1727 mm)	3.5 psi (0,24 bar)	8 ft. (2.4 M)	130 lbs (58.9 kg)	126" (3200 mm)	15" (381 mm)	1/2" (1)

Sewer air test



Blocking flow



Large single-size plugs are not suitable for leak location or vacuum testing. Custom sizes of the Pillow-Style Test-Ball® and Muni-Ball® plugs are also available.

Always block plugs when conducting air tests.