

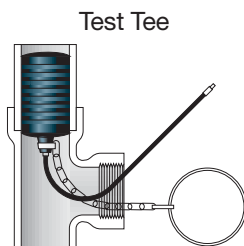
Plumbing Test Ball® Plugs

Cherne Plumbing Test Ball® Plugs were first introduced in 1953 as a more versatile product than traditional mechanical plugs. Designed to test drain vent and waste systems Cherne Test Ball® Plugs could be used in any type of pipe, could be inserted through a test tee, and sealed out of round pipe as well.

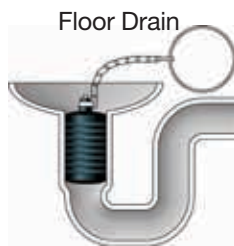
Cherne introduced the multi-size yellow-top Test Ball® plugs in 2002. These test ball plugs have the same great features found in the original test ball plugs, but can be used in more than one pipe size.

Features:

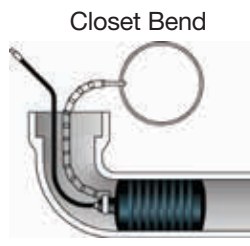
- **Natural Rubber:** Great sealing properties as well as excellent expansion and memory
- **Schrader Valve Inflator:** Includes cap with valve core tightener
- **Ring and Chain Assembly:** Prevents plug from dropping into DWV system during test



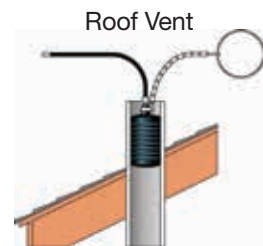
Test Tee



Floor Drain



Closet Bend



Roof Vent

Original Test-Balls

Part Number	Nominal Size	Usage Range	Maximum Back Pressure	Inflation Pressure	Product Weight	Deflated Length	Deflated Diameter	Inflation Thread	Chain / Eye bolts
270008	.75" - 1.25" (20-30 mm)	.75"-1.30" (20-33 mm)	17 psi (1,2 bar)	40 ft. (12 M)	45 psi (3,1 bar)	3.5 oz (0.1 kg)	3.75" (95 mm)	0.73" (18.5 mm)	Molded in Valve Removable Chain
270016	1.25" - 1.5" (35-40 mm)	1.17"-1.75" (30-44 mm)	13 psi (0,9 bar)	30 ft. (9.1 M)	40 psi (2,8 bar)	3.5 oz (0.1 kg)	5.5" (141 mm)	1.1" (31 mm)	Molded in Valve Removable Chain
270024	2" (50 mm)	1.9"-2.25" (48-57 mm)	13 psi (0,9 bar)	30 ft. (9.1 M)	40 psi (2,8 bar)	3.5 oz (0.1 kg)	2.84" (72 mm)	1.77" (45 mm)	Molded in Valve Removable Chain
270108	2.5" (65 mm)	2.34"-2.75" (48-70 mm)	13 psi (0,9 bar)	30 ft. (9.1 M)	35 psi (2,4 bar)	6.5 oz (0.2 kg)	4.5" (114 mm)	2.3" (59 mm)	Molded in Valve Removable Chain
270032	3" (75 mm)	2.77"-3.25" (70-83 mm)	13 psi (0,9 bar)	30 ft. (9.1 M)	35 psi (2,4 bar)	6.5 oz (0.2 kg)	5.25" (132 mm)	2.64" (67 mm)	Molded in Valve Removable Chain
270040	4" (100 mm)	3.41"-4.25" (87-108 mm)	13 psi (0,9 bar)	30 (9.1 M)	30 psi (2,1 bar)	9 oz (0.25 kg)	6.5" (163 mm)	3.25" (83 mm)	Molded in Valve Removable Chain
270059	5" (125 mm)	4.6"-5.25" (117-133 mm)	13 psi (0,9 bar)	30 ft. (9.1 M)	30 psi (2,1 bar)	1.3 lbs (0.6 kg)	7.75" (200 mm)	4.5" (114 mm)	Molded in Valve Removable Chain
270067	6" (150 mm)	5.44"-6.25" (138-159 mm)	13 psi (0,9 bar)	30 ft. (9.1 M)	30 psi (2,1 bar)	1.9 lbs (0.85 kg)	9.00" (230 mm)	5.25" (135 mm)	Molded in Valve Removable Chain

Multi Size Test-Balls

Part Number	Nominal Size	Usage Range	Maximum Back Pressure	Inflation Pressure	Product Weight	Deflated Length	Deflated Diameter	Inflation Thread	Chain / Eye bolts
276128	1.25" - 2" (35-50 mm)	1.25"-2.10" (32-53 mm)	17 psi (1,2 bar)	40 ft. (12 M)	40 psi (2,8 bar)	3.7 oz (0.11 kg)	5.56" (141 mm)	1.21" (31 mm)	Molded in Valve Removable Chain
276238	2" - 3" (50-75 mm)	1.9"-3.1" (48-80 mm)	17 psi (1,2 bar)	40 ft. (12 M)	35 psi (2,4 bar)	4.7 oz (0.13 kg)	5.57" (141 mm)	1.78" (45 mm)	Molded in Valve Removable Chain
276348	3" - 4" (75-100 mm)	2.8"-4.25" (70-108 mm)	17 psi (1,2 bar)	40 (12 M)	40 psi (2,8 bar)	7.8 oz (0.22 kg)	5.18" (132 mm)	2.64" (67 mm)	Molded in Valve Removable Chain
276468	4" - 6" (100-150 mm)	3.4"-6.25" (87-155 mm)	17 psi (1,2 bar)	40 ft. (12 M)	30 psi (2,1 bar)	1.4 lbs (0.62 kg)	9.47" (241 mm)	3.28" (83 mm)	Molded in Valve Removable Chain

Always block plugs when conducting air tests.

Long Test-Ball® • MS2® Test-Ball® Plugs



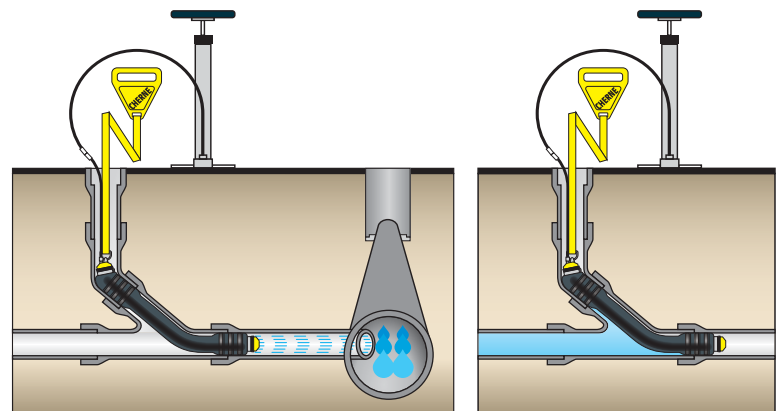
Cherne's Long Test-Ball® plugs are designed for waste stack testing—sealing the riser and the run to perform the test. These long ball plugs can also be used to seal the wye to conduct sewer air tests. Molded-in sealing ribs at each end of the plug ensure a leak-free seal.

Long Test-Ball® Plug (“The Original”) Features:

- Ring and chain assembly keeps plug from entering line during deflation
- Includes 3' extension hose

MS2® Long Test-Ball® Plug Features:

- Multi-size design for use in various pipe diameters
- Multi-stage design eliminates backsplash
- Integrated relief valve reduces the possibility of over-inflation
- Nylon strap and handle keeps plug from entering line during deflation
- Includes 5' extension hose



Long Test-Ball® & MS2® Long Test-Ball® plugs seals lateral during sewer air test

MS2® Long Test-Ball® Plugs Top inflates first, deflates last; *no backsplash*

Long Test-Ball

Part Number	Nominal Size	Usage Range	Maximum Back Pressure	Inflation Pressure	Product Weight	Deflated Length	Deflated Diameter
271020	2" (50 mm)	1.75"-2.25" (44-57 mm)	13 psi (0,9 bar)	30 ft. (9.1 M)	45 psi (3,1 bar)	1.1 lbs (0.51 kg)	18.25" (464 mm)
271039	3" (75 mm)	2.75"-3.25" (70-83 mm)	13 psi (0,9 bar)	30 ft. (9.1 M)	35 psi (2,4 bar)	1.88 lbs (0.85 kg)	20.75" (527 mm)
271047	4" (100 mm)	3.5"-4.25" (89-108 mm)	13 psi (0,9 bar)	30 ft. (9.1 M)	30 psi (2,1 bar)	2.31 lbs (1.04 kg)	24.75" (629 mm)
271098	4" - 6" (100-150 mm)	3.25"-6.25" (83-159 mm)	13 psi (0,9 bar)	30 ft. (9.1 M)	45 psi (3,1 bar)	4 lbs (1.81 kg)	28.5" (724 mm)
271055	5" (125 mm)	4.5"-5.25" (114-133 mm)	13 psi (0,9 bar)	30 ft. (9.1 M)	30 psi (2,1 bar)	4 lbs (1.81 kg)	27.75" (705 mm)
271063	6" (150 mm)	5.5"-6.25" (140-159 mm)	13 psi (0,9 bar)	30 ft. (9.1 M)	30 psi (2,1 bar)	5.3 lbs (2.41 kg)	28.25" (718 mm)

MS2 Long Test-Ball

Part Number	Nominal Size	Usage Range	Maximum Back Pressure	Inflation Pressure	Product Weight	Deflated Length	Deflated Diameter
274518	2" - 3" (50-75 mm)	1.75"-3.25" (44-83 mm)	13 psi (0,9 bar)	30 ft. (9.1 M)	40 psi (2,8 bar)	1.31 lbs (0.5 kg)	19.44" (494 mm)
274526	3" - 4" (75-100 mm)	2.75"-4.25" (70-108 mm)	13 psi (0,9 bar)	30 ft. (9.1 M)	40 psi (2,8 bar)	2.45 lbs (1.1 kg)	23.75" (603 mm)
274534	4" - 6" (100-150 mm)	3.5"-6.25" (89-159 mm)	13 psi (0,9 bar)	30 ft. (9.1 M)	30 psi (2,1 bar)	3.91 lbs (1.41 kg)	26.62" (676 mm)

Always block plugs when conducting air tests.

Clean-Seal® Plugs

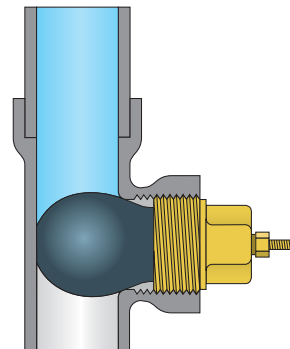
Designed for stack testing of drain, waste, and vent plumbing systems, Clean-Seal® plugs thread into a standard test tee. The bladder is inflated and then water is introduced into the pipe. Upon test completion, deflate the bladder; water travels down the pipe, eliminating test water backslash.

Features:

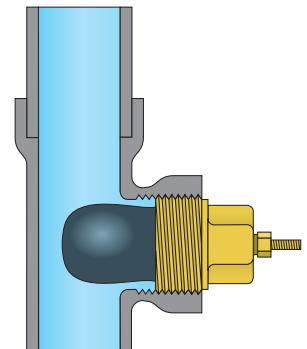
- Works in both plastic and cast-iron test tees
- Natural rubber body provides a leak-free seal
- High-impact ABS threads for maximum durability
- Removable/replaceable tire inflation valve fitting



Clean-Seal® Application



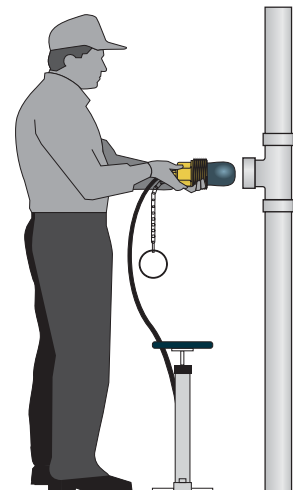
Inflated (test)



Deflated (test release)

Clean-Seal

Part Number	Nominal Size	Maximum Back Pressure	Inflation Pressure	Product Weight	Deflated Length	Deflated Diameter	Inflation Thread
271508	1.5" (40 mm)	13 psi (0,9 bar)	30 ft. (9.1 M)	30 psi (2,1 bar)	.15 lbs (0.07 kg)	4.75" (121 mm)	1.5" (38 mm)
271705	2" (50 mm)	13 psi (0,9 bar)	30 ft. (9.1 M)	35 psi (2,4 bar)	.3 lbs (0.14 kg)	5.81" (150 mm)	1/8"
271713	3" (75 mm)	13 psi (0,9 bar)	30 ft. (9.1 M)	35 psi (2,4 bar)	.8 lbs (0.36 kg)	7.38" (188 mm)	1/4"
271721	4" (100 mm)	13 psi (0,9 bar)	30 ft. (9.1 M)	35 psi (2,4 bar)	1.3 lbs (0.59 kg)	8.5" (215 mm)	1/4"
271758	6" (150 mm)	13 psi (0,9 bar)	30 ft. (9.1 M)	25 psi (1,7 bar)	3.5 lbs (1.59 kg)	11" (280 mm)	1/4"



Simply thread into test tee and inflate (for maximum sealing performance, apply thread seal tape to the threads before use).

Test Ball® Plugs – Underground



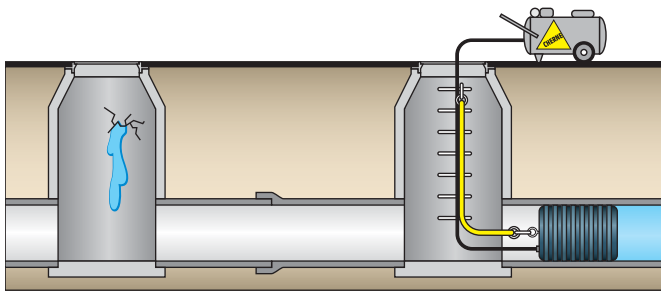
Cherne's Original Single Size and Multi-Size Test Ball Plugs are our most economical pneumatic plugs for blocking flow to do maintenance in sanitary and storm sewer systems. These plugs may also be used as a back plug for sewer air tests.

All of the single size and multi-size Test Ball plugs have eyebolts for attaching a rope or clevis for lifting and lowering the plug. And each plug also has a removable Schrader valve for easy replacement or substitution with a quick disconnect fitting.

Made from natural rubber, these plugs are tough, tear-resistant and will work on any type of pipe, including out-of-round pipe.



Blocking flow



Single Size Original Test Balls

Part Number	Nominal Size	Usage Range	Maximum Back Pressure	Inflation Pressure	Product Weight	Deflated Length	Deflated Diameter	Inflation Thread	Chain / Eye bolts	
041386	8" (200 mm)	7"-8.25" (178-210 mm)	17 psi (1,2 bar)	40 ft. (12 M)	25 psi (1,7 bar)	3.4 lbs (1.6 kg)	10.25" (257 mm)	6.75" (172 mm)	1/4" (1)	3/8" (1)
041394	10" (250 mm)	9"-10.25" (229-260 mm)	17 psi (1,2 bar)	40 ft. (12 M)	25 psi (1,7 bar)	5.6 lbs (2.5 kg)	11.75" (298 mm)	8.75" (221 mm)	1/4" (1)	3/8" (1)
041408	12" (300 mm)	10.5"-12.25" (267-311 mm)	17 psi (1,2 bar)	40 ft. (12 M)	25 psi (1,7 bar)	10.9 lbs (5 kg)	13.75" (351 mm)	10.25" (262 mm)	1/4" (1)	3/8" (1)
041416	15-16" (375-400 mm)	14" - 16.25" (356-413 mm)	13 psi (0,9 bar)	30 ft. (9,1 M)	25 psi (1,7 bar)	29.5 lbs (13.4 kg)	19.75" (502 mm)	13.75" (346 mm)	1/4" (1)	3/8" (2)

Multi-Size Original Test Balls

Part Number	Nominal Size	Usage Range	Maximum Back Pressure	Inflation Pressure	Product Weight	Deflated Length	Deflated Diameter	Inflation Thread	Chain / Eye bolts	
275048	4" - 6" (100-150 mm)	3.75"-6.25" (92-159 mm)	17 psi (1,2 bar)	40 ft. (12 M)	30 psi (2,1 bar)	2 lbs (0.91 kg)	9.8" (250 mm)	3.5" (85 mm)	1/8" (1)	1/4" (1)
275058	6" - 8" (150-200 mm)	5.25"-8.25" (135-210 mm)	17 psi (1,2 bar)	40 ft. (12 M)	30 psi (2,1 bar)	3.5 lbs (1.6 kg)	14" (356 mm)	5" (127 mm)	1/4" (1)	3/8" (1)
275088	8" - 12" (200-300 mm)	7"-12.25" (178-311 mm)	11 psi (0,75 bar)	25 ft. (8 M)	20 psi (1,4 bar)	6.63 lbs (3 kg)	16" (406 mm)	6.75" (171 mm)	1/4" (1)	3/8" (1)
275128	12" - 18" (300-450 mm)	10.75"-18.25" (273-464 mm)	11 psi (0,75 bar)	25 ft. (8 M)	25 psi (1,7 bar)	22.4 lbs (10.2 kg)	24" (610 mm)	10.5" (267 mm)	1/4" (1)	3/8" (1)

I-Series Test-Ball® Plugs

Cherne's I-Series plugs were designed to meet the needs of both the US and International markets in terms of size and expansion range. Our I-Series plugs have full body cording for added durability.

Our I-Series plugs feature:

- Superior expansion range
- Small deflated diameters
 - All plugs up through our 24-60" size easily fit through a 24" manhole frame
 - 48-72" and 54-96" plugs fit through 36" openings

Plugs 15-32" and larger

- Aluminum end plates – minimizes rust/corrosion
- 3/4" eyebolts on plugs 15-32" and larger – better holding strength
- Patented Field Replaceable Rupture Discs on plugs 15-32" and larger – protects plug from over-inflation

Protective sleeves available for 12-24" and larger plugs. See page 20.



Part Number	Nominal Size	Usage Range	Maximum Back Pressure	Inflation Pressure	Product Weight	Deflated Length	Deflated Diameter	Inflation Thread	Chain / Eye bolts
385088	4" - 8" (100-200 mm)	3.6"-8.25" (92-210 mm)	13 psi (0,9 bar)	30 ft. (9.1 M)	45 psi (3,1 bar)	15.75" (400 mm)	3.43" (87 mm)	1/4" (1)	1/4" (1)
395088	4" - 8" (100-200 mm)	3.6"-8.25" (92-210 mm)	13 psi (0,9 bar)	30 ft. (9.1 M)	30 psi (2,1 bar)	20.6" (469 mm)	3.5" (70 mm)	1/4" (1)	3/8" (1)
395128	6" - 12" (150-300 mm)	5.5"-12.25" (140-310 mm)	13 psi (0,9 bar)	30 ft. (9.1 M)	30 psi (2,1 bar)	26.25" (667 mm)	5.25" (133 mm)	1/4" (1)	3/8" (1)
385168	8" - 16" (200-400 mm)	7.5"-16.25" (186-413 mm)	7.5 psi (0,5 bar)	16.75 ft. (5.1 M)	30 psi (2,1 bar)	23" (585 mm)	7.25" (184 mm)	1/4" (1)	3/8" (1)
395168	8" - 16" (200-400 mm)	7.5"-16.25" (186-413 mm)	13 psi (0,9 bar)	30 ft. (9.1 M)	30 psi (2,1 bar)	29.5" (750 mm)	7.25" (184 mm)	1/4" (1)	3/8" (1)
385248	12" - 24" Short (300-600 mm)	11"-24.25" (279-616 mm)	7.5 psi (0,5 bar)	16.75 ft. (5.1 M)	30 psi (2,1 bar)	33" (839 mm)	10.75" (273 mm)	1/4" (1)	3/8" (2)
395248	12" - 24" (300-600 mm)	11"-24.25" (279-616 mm)	13 psi (0,9 bar)	30 ft. (9.1 M)	30 psi (2,1 bar)	39.5" (1003 mm)	10.75" (273 mm)	1/4" (1)	3/8" (2)
310328	15" - 32" (380 - 800 mm)	15" - 32" (380 - 800 mm)	11 psi (0,76 bar)	25 ft. (7.6 M)	25 (1,72 bar)	65 lbs (29.5 kg)	48" (1220 mm)	1/4" & 1/2"	3/4" (2)
*310408	20"-40" (500-1000 mm)	19"-40" (475-1000 mm)	8.7 psi (0,6 bar)	20 ft. (6.1 M)	22 psi (1,5 bar)	66 lbs (30 kg)	46.25" (1175 mm)	1/4" & 1/2"	3/4" (2)
*310488	24" - 48" (600-1200 mm)	20.5"-50" (521-1270 mm)	**10 psi (0,7 bar)	23 ft. (7 M)	22 psi (2,5 bar)	125 lbs (57 kg)	68" (1730 mm)	1/4" & 1/2"	3/4" (2)
310600	24" - 60" (600-1500 mm)	20.5" - 60.5" (520 - 1537 mm)	6 psi (0,41 bar)	14 ft. (4.3 M)	22 (1,5 bar)	140 lbs (63.6 kg)	88" (2235 mm)	1/4" & 1/2"	3/4" (2)
*310728	48" - 72" (1200-1800 mm)	44"-72.25" (1118-1835 mm)	6 psi (0,41 bar)	14 ft. (4.3 M)	12 psi (0,83 bar)	290 lbs (132 kg)	100" (2540 mm)	1/2" (2)	3/4" (3)
*310968	54" - 96" (1400-2400 mm)	54"-96.25" (1400-2450 mm)	6 psi (0,41 bar)	14 ft. (4.3 M)	11 psi (0,75 bar)	500 lbs (228 kg)	128" (3200 mm)	1/2" (2)	3/4" (3)

Pillow-Style Test-Ball® Plugs



Cherne's Pillow-Style Test-Balls are great for blocking sewer flow and can also be used as a "back plug" for sewer air testing. Made from heavy-duty elastic urethane these plugs are lightweight, flexible, chemical and petroleum resistant, and will fit through small diameter openings. Pillow-style plugs can be tethered to full head pressure with the tether bar.



Features:

- Equipped with a special 30' inflation hose, read-back line and gauge
- A repair kit is available to fix small tears and punctures

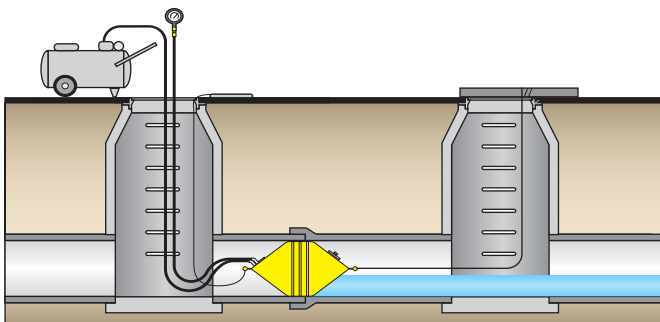
Pillow-Style Test-Ball

Part Number	Nominal Size	Usage Range	Maximum Back Pressure	Inflation Pressure	Product Weight	Deflated Length	Deflated Diameter	Inflation Thread	
277108	*15" (375 mm)	14.7"-15.5" (373-394 mm)	15 psi (1 bar)	35 ft. (11 M)	24 psi (1,65 bar)	7 lbs (3.2 kg)	43" (1100 mm)	12" (305 mm)	1/4" (1)
277118	*18" (450 mm)	17.8"-18.8" (451-477 mm)	15 psi (1 bar)	35 ft. (11 M)	24 psi (1,65 bar)	9 lbs (4.1 kg)	43" (1100 mm)	12" (305 mm)	1/4" (1)
277128	*20" (500 mm)	19.6"-20.7" (498-526 mm)	13 psi (0,9 bar)	30 ft. (9.1 M)	18 psi (1,24 bar)	12 lbs (5.5 kg)	43" (1100 mm)	12" (305 mm)	1/4" (1)
277134	*21" (525 mm)	20.6"-21.8" (523-554 mm)	13 psi (0,9 bar)	30 ft. (9.1 M)	18 psi (1,24 bar)	14 lbs (6.4 kg)	43" (1100 mm)	12" (305 mm)	1/4" (1)
277142	*24" (600 mm)	23.5"-25.2" (598-641 mm)	11 psi (0,76 bar)	25 ft. (7.6 M)	18 psi (1,24 bar)	16 lbs (7.3 kg)	66" (1700 mm)	12" (305 mm)	1/4" (1)
277150	*27" (700 mm)	26.5"-28.2" (672-717 mm)	11 psi (0,76 bar)	25 ft. (7.6 M)	18 psi (1,24 bar)	18 lbs (8.2 kg)	66" (1700 mm)	12" (305 mm)	1/2" (1)
277169	30" (750 mm)	29.4"-31.25" (747-794 mm)	11 psi (0,76 bar)	25 ft. (7.6 M)	18 psi (1,24 bar)	20 lbs (9.1 kg)	66" (1700 mm)	12" (305 mm)	1/2" (1)
277177	33" (850 mm)	32.3"-34.25" (819-870 mm)	8.7 psi (0,61 bar)	20 ft. (6.1 M)	13 psi (0,9 bar)	22 lbs (9.9 kg)	95" (2413 mm)	12" (305 mm)	1/2" (1)
277185	36" (900 mm)	35.3"-37.5" (896-953 mm)	8.7 psi (0,61 bar)	20 ft. (6.1 M)	13 psi (0,9 bar)	32 lbs (14.5 kg)	95" (2413 mm)	12" (305 mm)	1/2" (1)
277193	42" (1100 mm)	41.2"-43.7" (1045-1111 mm)	7.8 psi (0,55 bar)	18 ft. (5.5 M)	12 psi (0,83 bar)	36 lbs (16.4 kg)	95" (2413 mm)	12" (305 mm)	1/2" (1)
277207	48" (1200 mm)	47.04"-50" (1195-1270 mm)	5.6 psi (0,4 bar)	13 ft. (4 M)	12 psi (0,83 bar)	41 lbs (18.6 kg)	95" (2413 mm)	12" (305 mm)	1/2" (1)
277215	54" (1400 mm)	52.92"-56" (1344-1422 mm)	5.6 psi (0,4 bar)	13 ft. (4 M)	10 psi (0,7 bar)	48 lbs (21.8 kg)	95" (2413 mm)	15" (381 mm)	1/2" (1)
277223	60" (1500 mm)	58.8"-62" (1494-1575 mm)	5.6 psi (0,4 bar)	13 ft. (4 M)	10 psi (0,7 bar)	64 lbs (29.1 kg)	126" (3200 mm)	15" (381 mm)	1/2" (1)
277231	66" (1700 mm)	64.7"-68" (1643-1727 mm)	3.5 psi (0,24 bar)	8 ft. (2.4 M)	8 psi (0,55 bar)	70 lbs (31.8 kg)	126" (3200 mm)	15" (381 mm)	1/2" (1)

*15" - 27" pillow-style plugs have standard snifter valve air connection.

Large single-size plugs are not suitable for leak location or vacuum testing. Custom sizes of the Pillow-Style Test-Ball® and Muni-Ball® plugs are also available.

Blocking flow



Large single-size plugs are not suitable for leak location or vacuum testing. Custom sizes of the Pillow-Style Test-Ball® and Muni-Ball® plug are also available.

Always block plugs when conducting air tests.

Remo® Remote Placement Plugs

The Remo® Remote Placement plug provides two advantages—it eliminates the need to enter confined spaces and speeds up the pipe plugging process. The system is safer and less expensive to use than conventional plugging methods because it requires no confined space equipment to simply block sewer flow. A lightweight aluminum pole system* or a standard 1¼" iron pipe** is used to place the Remo® plug in the sewer system.

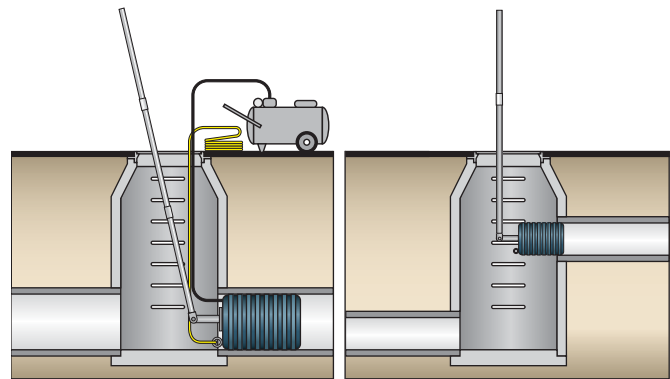


Remo® Plug Features:

- Multi-size design to seal multiple pipe sizes
- Can be locked at a 90° angle to seal openings in manholes at different levels
- Can be used as a back plug for sewer tests
- Adapters available to convert Muni-Ball® plugs into Remo® plugs

Pole System Features:

- Consists of 6' lightweight aluminum poles with push-button construction
- Designed for plugs up to 30 lbs used in manhole depths of up to 20'
- Poles are 1/6th the weight of iron pipe
- Pole system requires Remo® pole adapter



*Requires pole adapter

**When added strength is needed, iron pipe is recommended

Part Number	Nominal Size	Usage Range	Maximum Back Pressure	Inflation Pressure	Product Weight	Deflated Length	Deflated Diameter	Inflation Thread	Eye bolts
275428	6" - 10" (150-250 mm)	5.5"-10.25" (140-260 mm)	13 psi (0,9 bar)	30 ft (9.1 M)	30 psi (2,1 bar)	8 lbs (3.64 kg)	24" (610 mm)	5.25" (133 mm)	1/4" (2) 3/8" (1)
275438	8" - 12" (200-300 mm)	7.0"-12.25" (178-311 mm)	13 psi (0,9 bar)	30 ft (9.1 M)	30 psi (2,1 bar)	10.75 lbs (4.88 kg)	25.5" (648 mm)	6.75" (171 mm)	1/4" (2) 3/8" (1)
275448	12" - 18" (300-450 mm)	10.50"-18.25" (273-464 mm)	13 psi (0,9 bar)	30 ft (9.1 M)	30 psi (2,1 bar)	27 lbs (12.25 kg)	34" (863 mm)	10.5" (267 mm)	1/4" (2) 3/8" (1)

Accessories

Part Number	Description
019473	6' Remo® Pole
019458	Remo® Pole Adapter (1¼" M NPT)
019558	1½" Remo® Muni-Ball® Adapter
019568	2" Remo® Muni-Ball® Adapter
019548	2" - 1½" Remo® Reducer Bushing
060508	3" - 2" Remo® Reducer Bushing
059688	4" - 2" Remo® Reducer Bushing

