

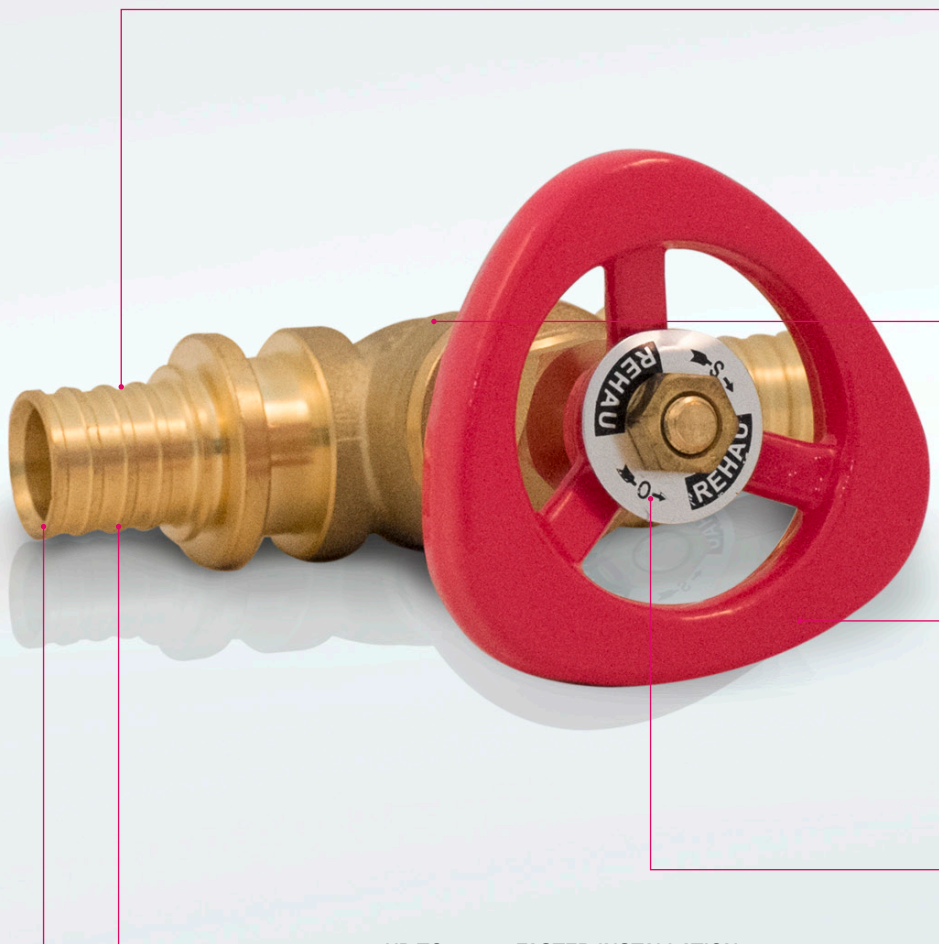


# REHAU®

Unlimited Polymer Solutions

## REHAU RAUTITAN GATE VALVE

### ANOTHER STEP TO IMPROVE PRODUCTIVITY AND SECURITY



#### NO MORE ADAPTOR OR TEFLON TAPE

RAUTITAN gate valves are featured with unique REHAU compression sleeve connection joint that can create a permanently sealed to our PEX pipes. The RAUTITAN compression sleeve joint is a simple, robust and reliable connection

#### 100% DZR BRASS

The valve carries an embossed "DZ" mark that confirmed the body and all components in contact with water are made of the highest quality dezincification resistance brass to achieve long-term corrosion resistance.

#### REHAU PRESTIGE QUALITY

The valves have been tested according to the requirement specified in the BS EN 5451 and of course REHAU's own stringent quality requirement.

#### 20 BAR PRESSURE RESISTANCE

The valves are designed to connect to RAUTITAN PEX system, a single PN20 piping system for hot and cold water application.

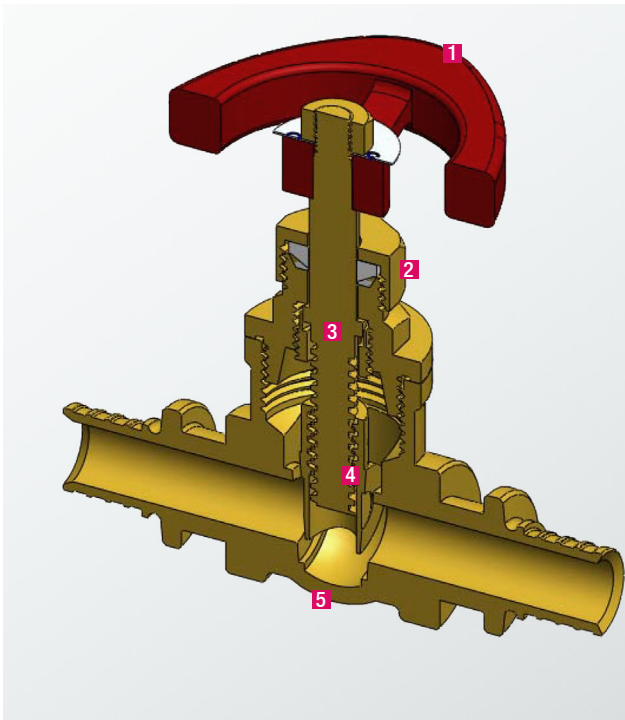
#### UP TO 200% FASTER INSTALLATION

Without using threaded adaptor, the chance of improper Teflon Tape sealing is completely eliminated. Furthermore, time is saved.

#### EXCELLENT FLOW

Gate valve is the better choice compare to Stop/Globe valve for unobstructed flow as it allows bidirectional straight-line flow of water but the latter has baffle that restricts flow.



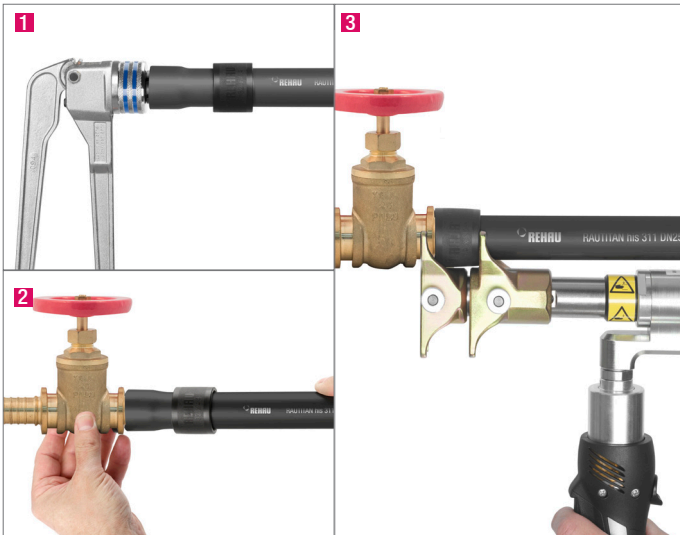


#### MATERIAL

Part Name	Material
<b>1</b> Handwheel	Cast Iron
<b>2</b> Bonnet	DZR Brass
<b>3</b> Stem	DZR Brass
<b>4</b> Wedge	DZR Brass
<b>5</b> Body	DZR Brass

#### DIMENSION

Valve size	mm	16	20	25	32	40
L	mm	85.6	94.6	112	130.9	149
H	mm	66.3	66.3	83.2	90	109



### THREE STEPS TO SECURITY

Making a 100% leak-proof joint has never been this easy.

REHAU's compression sleeve joint is made in just three simple steps:

- 1** Expand the pipe
- 2** Slide in fitting
- 3** Compress and complete!

Utilized for over 30 years and across millions of connections REHAU guarantees a 100% permanent leak-proof joint in just three simple steps!

#### COMPLY STANDARDS:

- BS 5451
- BS EN 12163
- BS EN 12165
- SS375
- AS/NZS 4020

